

# 1000<sup>TM</sup> spectratherm

An economic, easy to use Short Wave Infra-Red Curing Lamp  
set on a chrome-plated column.  
Designed for bodyshops demanding high quality and reliability.

Infra-red Curing System



No. Reference Spectratherm 1000 (200-240V): 28-SPT1000

**AMH<sup>®</sup>**

**State of the art technology at your finger tips**

# Features of a Spectratherm™ 1000 Short Wave IR curing system:

▪ **Versatile:**

Cures on any substrate.  
Cures putty or primer.

▪ **Rapid temperature climb:**

Maximum heat transfert.

▪ **Automatic timed shut-off:**

Reduces chance of damage to finish due to overheating.

▪ **Uniform, focused cure area - no hot or cold spots:**

Full focused IR reflector.

Curing area:

10" x 12" = 120in<sup>2</sup>

(25cm x 30cm = 750cm<sup>2</sup>).

distance to vehicle: 12" (30cm).

▪ **Simple controls:**

Solid state switching variable cure timer.

Long lasting, durable.

▪ **Easy to operate:**

Effortless lamp unit adjustment "push" and "go" operation short, timer controlled curing times (polyester putties in approx 4 minutes, water and solvent based products in under 10 minutes).

PAINT MATERIAL	TOTAL CURING TIME
Top Coat	7-10 minutes
Non-Sanding	2-7 minutes
Water-Thinnable Filler	7-9 minutes
Primer	3-8 minutes
Polyester Filler/Stopper	2-3 minutes

▪ **Easy to maintain:**

Removable grill.

Cleanable, solvent resistant reflector.

Interchangeable bulbs.

▪ **Built-in safety features:**

CE approval

▪ **Economical:**

Lower purchase price and running costs than other conventional methods.

▪ **Spectratek quality design, construction and service:**

Highest quality components designed and built in North America.

Compact, modular design.

Efficient on space.

Lightweight, strong, stable and

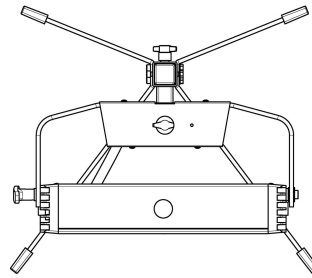
rugged construction.

Robust, reliable electronics designed for the harshest environment.

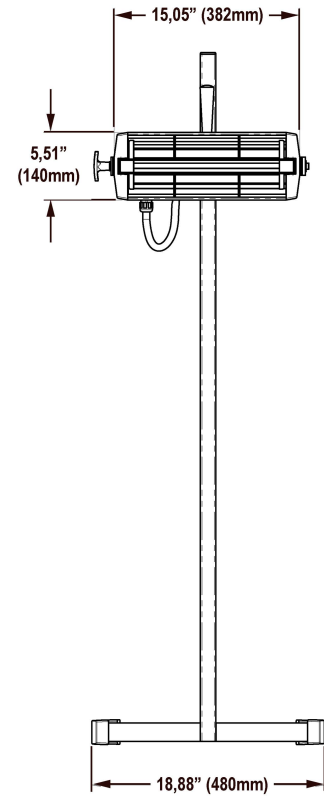
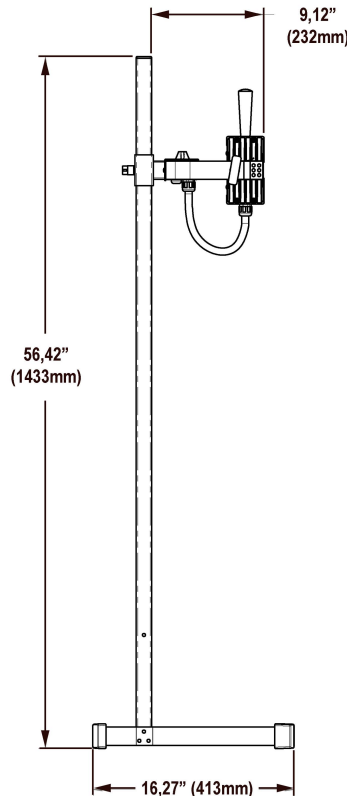
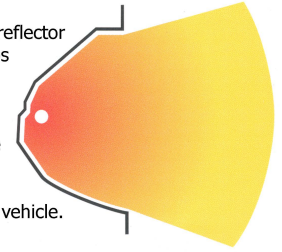
Comprehensive warranty.

▪ **Power requirements:**

220/240 volt, 1 Phase, 50-60Hz.



The unique reflector that envelops the lamp is specifically designed to direct all the energy from the lamp towards the vehicle.



## SOLID BACKING BY EXPERTS IN THE INDUSTRY

The founders of Spectratek™ have years of experience in the automotive paint field and the highest level of technical expertise in Short Wave Infra-Red technology as it applies to the automotive industry.

Spectratek™ is committed to developing the highest quality products and invests in extensive research, development, and testing. Ongoing research ensures that the products we develop will continue to effectively meet the needs of the Collision repair industry today and in the future.

All Spectratek™ products are supported by fully qualified service and distribution facilities. Servicing can be conducted onsite to minimize downtime and cost.

Contact Spectratek™ today.

Due to our commitment to quality and service, design & specifications may change without notice.



**AMH Canada Ltée/Ltd**  
391, rue St-Jean-Baptiste Est  
Rimouski (Québec) Canada G5L 1Z2  
Tel: (418) 724-4105 Fax: (418) 722-6108  
e-mail: amhcanad@amh.ca

Distributor